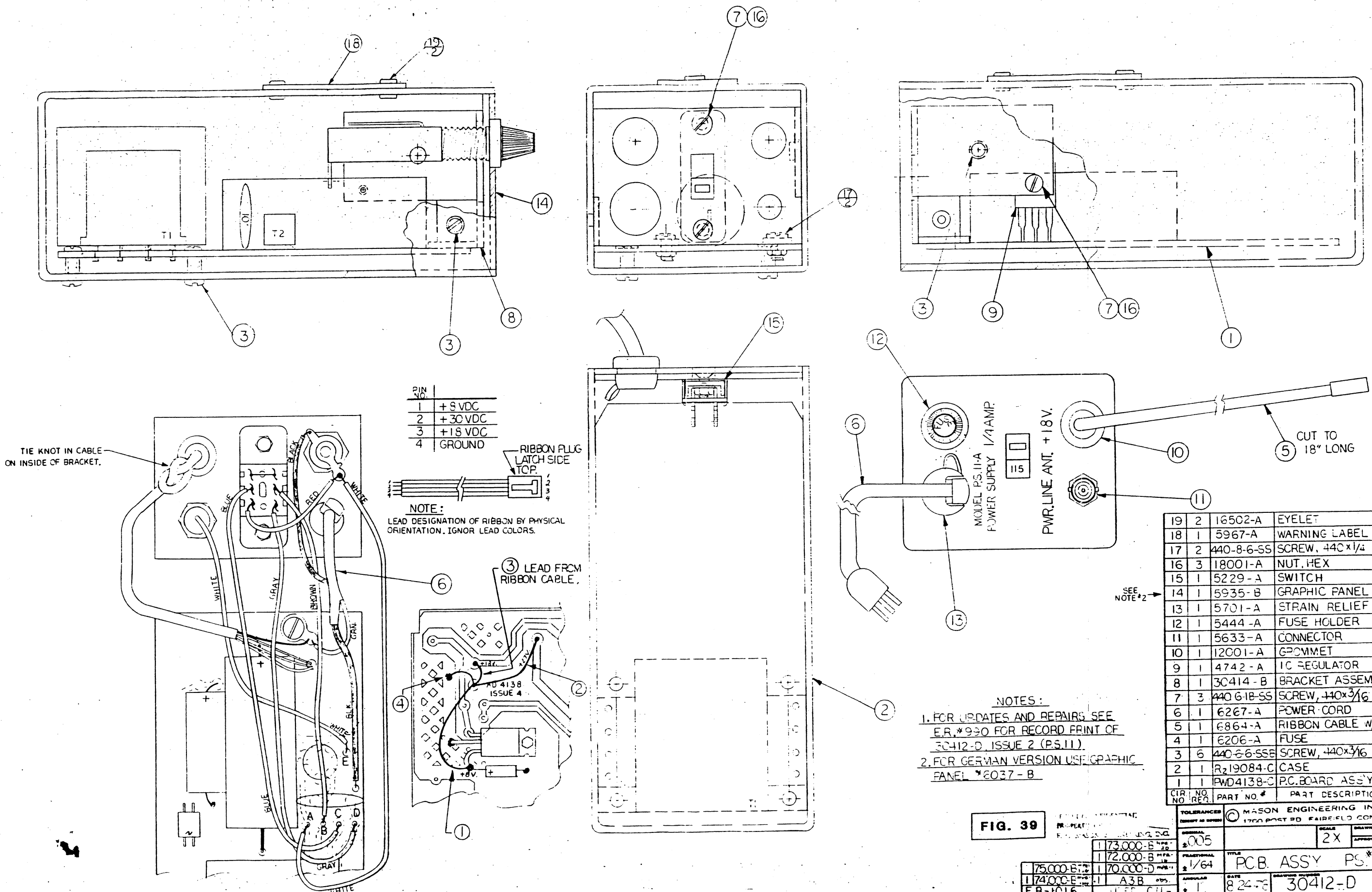


DATE	REVISED RECORD	AUTH	CHK
	SEE 30-1024		
	SEE 30-1024		



PIN NO.	VOLTAGE
1	+ 8 VDC
2	+ 30 VDC
3	+ 18 VDC
4	GROUND

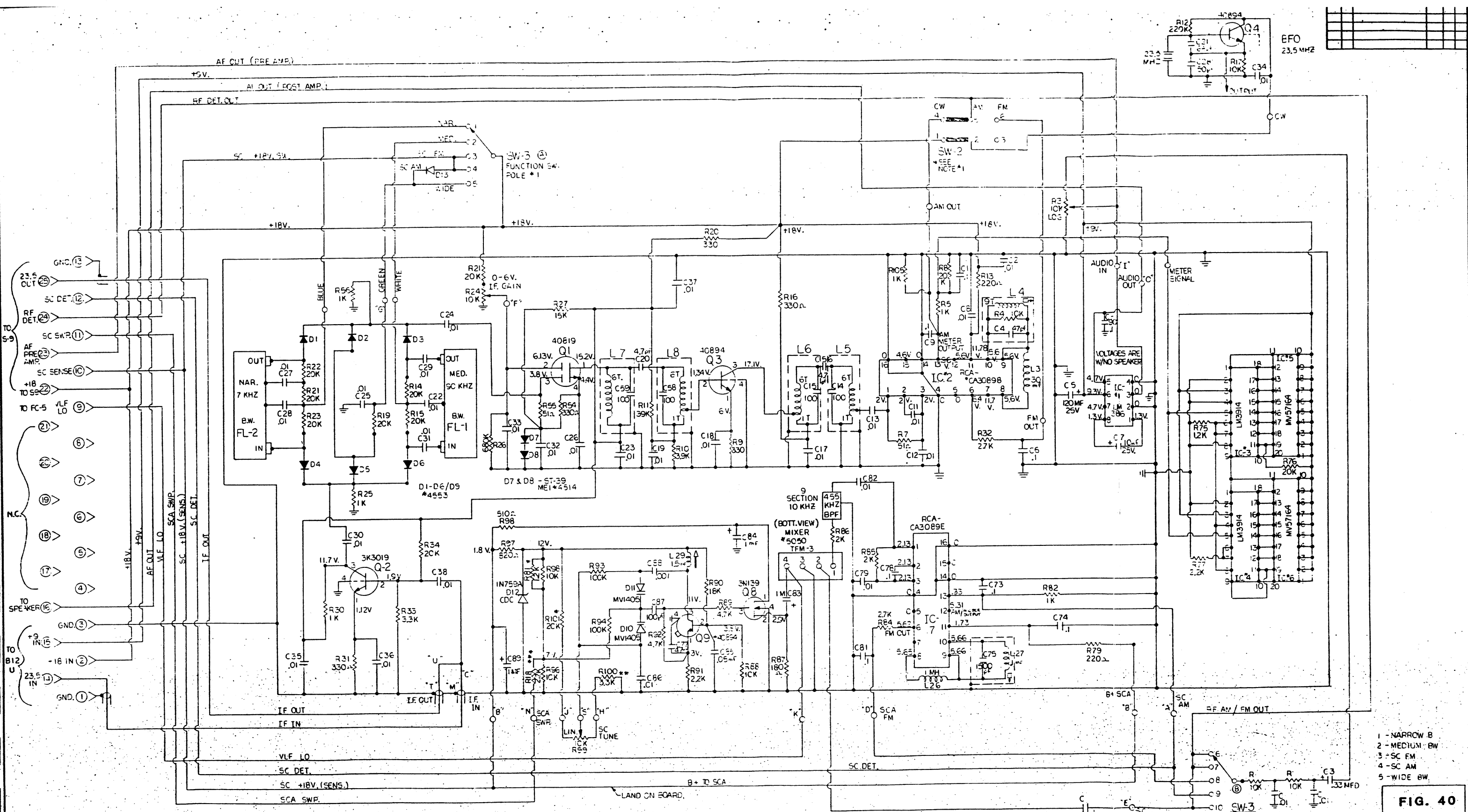
NOTE:  
LEAD DESIGNATION OF RIBBON BY PHYSICAL ORIENTATION. IGNORE LEAD COLORS.

- NOTES:
- FOR UPDATES AND REPAIRS SEE E.R. #990 FOR RECORD PRINT OF 30412-D, ISSUE 2 (P.S.11).
  - FOR GERMAN VERSION USE GRAPHIC PANEL #6037-B

CIR. NO.	REQ.	PART NO.	PART DESCRIPTION
19	2	16502-A	EYELET
18	1	5967-A	WARNING LABEL
17	2	440-8-6-SS	SCREW, 440x1/4 PAN HD.
16	3	18001-A	NUT, HEX
15	1	5229-A	SWITCH
14	1	5935-B	GRAPHIC PANEL
13	1	5701-A	STRAIN RELIEF
12	1	5444-A	FUSE HOLDER
11	1	5633-A	CONNECTOR
10	1	12001-A	COMMET
9	1	4742-A	IC REGULATOR 18V.
8	1	30414-B	BRACKET ASSEMBLY
7	3	440-6-18-SS	SCREW, 440x3/16 PAN HD. 100° SS.
6	1	6267-A	POWER CORD
5	1	6864-A	RIBBON CABLE W/ CONN. 1/2
4	1	6206-A	FUSE
3	6	440-8-6-SS	SCREW, 440x3/16 PAN HD. BLACK
2	1	R219084-C	CASE
1	1	PWD4138-C	P.C. BOARD ASSY.

FIG. 39

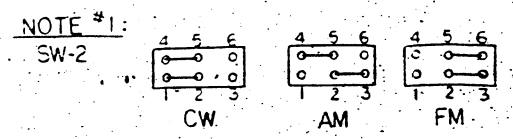
TOLERANCES (UNLESS AS SHOWN)		MASON ENGINEERING INC. 1700 POST RD. FAIRFIELD CONN.	
GENERAL	±.005	SCALE	2X
FRACTIONAL	1/64	TITLE	PCB ASSY PS-11-A
DECIMAL	0.001	DATE	8-24-78
ANGLES	A3B	APPROVED BY	EWT
THREADS	SEE CH-1	DATE	30412-D
UNLESS OTHERWISE SPECIFIED		ISSUE	15



- 1 - NARROW BW
- 2 - MEDIUM BW
- 3 - SC FM
- 4 - SC AM
- 5 - WIDE BW

**FIG. 40**

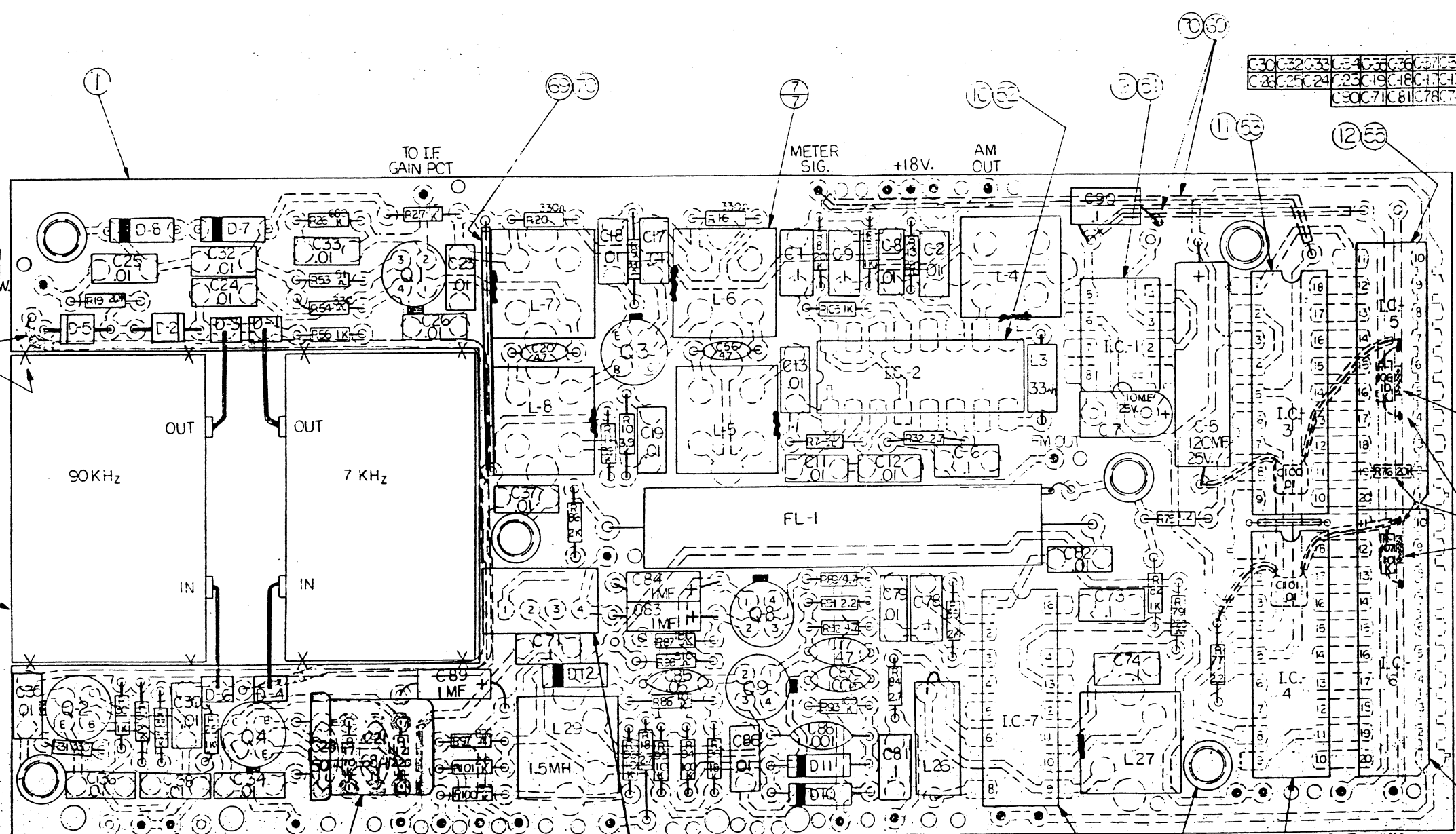
\* FACTORY SELECTED VALUE FOR LO RANGE END.  
 \*\* FACTORY SELECTED VALUE FOR HI RANGE END.  
 \*\*\* FACTORY SELECTED VALUE FOR SCA OSC. SWP. WIDTH  
 TO SET SCA OSC. -  
 CHECK VOLTAGE AT R26, SHOULD BE 7V.  
 ADJUST SC TUNE POT., R94 FOR MAX. FREQ.  
 ADJUST L29 FOR 310KHZ (OSC. FREQ. - 765).  
 ADJUST SC TUNE POT. FOR MIN. FREQ.  
 ADJUST R101 FOR OSC. FREQ. OF 455 KHZ.  
 ADJUST R18 FOR MAX. SWP. WIDTH OF 300 KHZ.



TOLERANCES UNLESS OTHERWISE SPECIFIED		MASON ENGINEERING INC.	
1700 POST RD. FAIRFIELD, CONN.		SCALE	
DESIGNED BY	APPROVED BY	TITLE	MPR-5
DRAWN BY	DATE	DRAWING NUMBER	ISSUE
	4-26-85	SWD-30877-D	2

L-3	1	3502-A	CHOKE	1.5MH
L-4	1	3641-A	CHOKE	33MH
L-5	1	3534-A	COIL	
L-6	2	3623-A	COIL	
L-7	1	3575-A	COIL	1MH
L-8	1	3504-A	COIL	1.5MH
L-8	2	3643-A	COIL	
C-1	1	0142-A	COAX WIRE	REIN. U
C-2	1		JUMPER WIRE	45A
C-3	1		SLEEVE	CLEAR
C-4	2	0197	CAPACITOR	.01

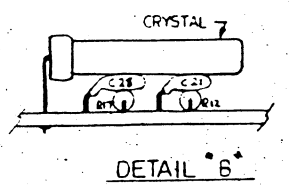
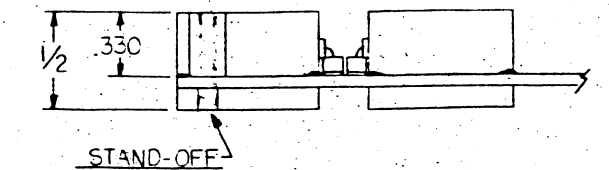
QTY	PART NO.	PART DESCRIPTION	
1	1 AM4192-D	PC BOARD - 45 MATH.	
2	1 5050-A	BALANCED MIXER	
3	1 130555-B	IMP. FILTER ASSY.	
1	1 130556-B	IMP. FILTER ASSY.	
2	1 13100-A	STAND-OFF	
2	1 5007-A	FILTER	
7	7 3213-2	COIL SHIELD CAN	
8	1 5020-A	CRYSTAL 2.50MH	
3	1 5505-A	4-PIN SOCKET	
10	2 5500-A	15-PIN SOCKET	
11	2 5504-A	15-PIN SOCKET	
12	2 5516-A	20-PIN SOCKET	
13	2 3	0190 CAPACITOR .01	
C-1	14	9	0191 CAPACITOR .01
C-5	15	1	0055 CAPACITOR 120MF 25V
C-7	16	1	0168 CAPACITOR 10MF 25V
C-7	17	2	0173 CAPACITOR 47MF
C-8	18	3	0048 CAPACITOR 1MF
C-8	19	1	0164 CAPACITOR 100P
C-8	20	1	0139 CAPACITOR .05MF
C-8	21	1	0103 CAPACITOR .001MF
C-21	23	1	0174 CAPACITOR 68P
R-5	24	6	10-TBR-2-2 RESISTOR 1 K. 1/8W. 5%
R-8	25	2	10-PBR-2-2 RESISTOR 2 K. 1/8W. 5%
R-17	26	6	10-TBO-2-2 RESISTOR 10K. 1/8W. 5%
R-27	27	1	10-TGO-2-2 RESISTOR 15K. 1/8W. 5%
R-9	28	1	10-TSO-2-2 RESISTOR 18K. 1/8W. 5%
R-8	29	4	10-RBO-2-2 RESISTOR 20K. 1/8W. 5%
R-11	30	1	10-OWO-2-2 RESISTOR 39K. 1/8W. 5%
R-31	31	2	10-TBY-2-2 RESISTOR 100K. 1/8W. 5%
R-26	32	1	10-ASY-2-2 RESISTOR 680K. 1/8W. 5%
R-75	33	1	10-TRR-2-2 RESISTOR 1.2K. 1/8W. 5%
R-77	34	2	10-RRR-2-2 RESISTOR 2.2K. 1/8W. 5%
R-32	35	2	10-RPR-2-2 RESISTOR 2.7K. 1/8W. 5%
R-10	36	1	10-OWR-2-2 RESISTOR 3.9K. 1/8W. 5%
R-33	37	1	10-COR-2-2 RESISTOR 3.3K. 1/8W. 5%
R-89	38	2	10-YPR-2-2 RESISTOR 4.7K. 1/8W. 5%
R-7	39	2	10-GTB-2-2 RESISTOR 51n. 1/8W. 5%
R-87	40	1	10-TST-2-2 RESISTOR 180n. 1/8W. 5%
R-13	41	2	10-RRT-2-2 RESISTOR 220n. 1/8W. 5%
R-9	42	5	10-OOT-2-2 RESISTOR 330n. 1/8W. 5%
R-6	43	1	10-GTT-2-2 RESISTOR 510n. 1/8W. 5%
R-97	44	1	10-SRT-2-2 RESISTOR 820n. 1/8W. 5%
R-12	45	1	10-PRY-2-2 RESISTOR 220K. 1/8W. 5%
D-2	46	6	5425-A TRANSISTOR SOCKETS
D-4	47	6	4553-A DIODE MPN-3404
D-8	48	2	4514-A DIODE ST-39
D-11	49	2	4531-A DIODE
D-12	50	1	4503-A DIODE IN759A
IC-1	51	1	4781-A I.C. *LM 386
IC-7	52	2	4760-A I.C. *CA3069E
IC-3	53	1	4779-A I.C. *LM 3914
IC-4	54	1	4780-A I.C. *LM 3915
IC-5	55	2	6302-A LED. *YBG-100
Q-1	56	1	4749-A TRANSISTOR *40819
Q-2	57	1	4723-A TRANSISTOR *SK3019
Q-3	58	3	4748-A TRANSISTOR *SK3039
Q-8	59	1	4725-A TRANSISTOR *3N139
C-20	60	2	0188 CAPACITOR 4.7P



COAX UNDER BOARD  
TO FUNCTION SWITCH WIDE BW  
SOLDER CORNERS OF BOTH FILTERS.

SEE DETAIL BELOW "AA"

"AA" DETAIL (2X):



NOTES:

1. COMPONENT HEIGHT WHEN INSTALLED MUST NOT EXCEED THE HEIGHT OF STAND-OFFS.
2. USE STAND-OFF #12109-A FOR MP25

FIG. 41

SECRET / CONFIDENTIAL  
PROPERTY OF  
E. G. MANN ENGINEERING, INC.

MASON ENGINEERING INC. 1700 POST RD. FAIRFIELD, CONN.			
ORIGINAL	MPR-3/5	SCALE	4X
FRACTIONAL		TITLE	B-9 PICTORIAL WIRING ASSEMBLY
ANGULAR		DATE	3-4-83
		DRAWING NUMBER	PWD-4192-D
		ISSUE	2







