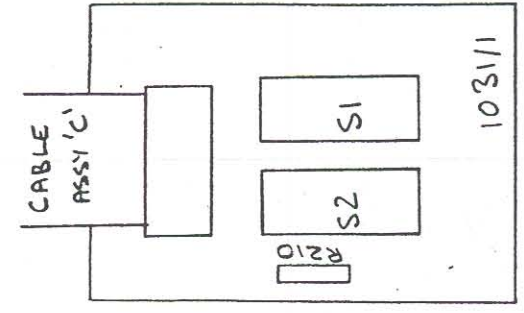
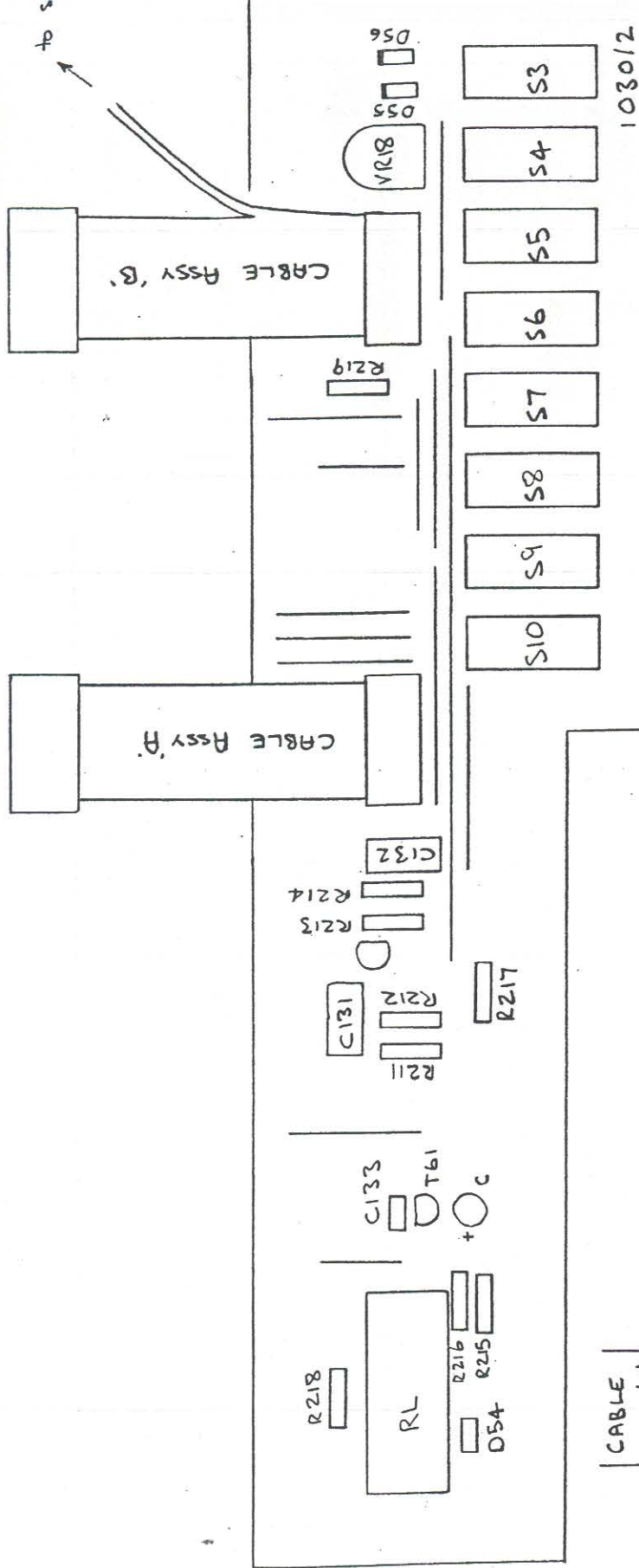
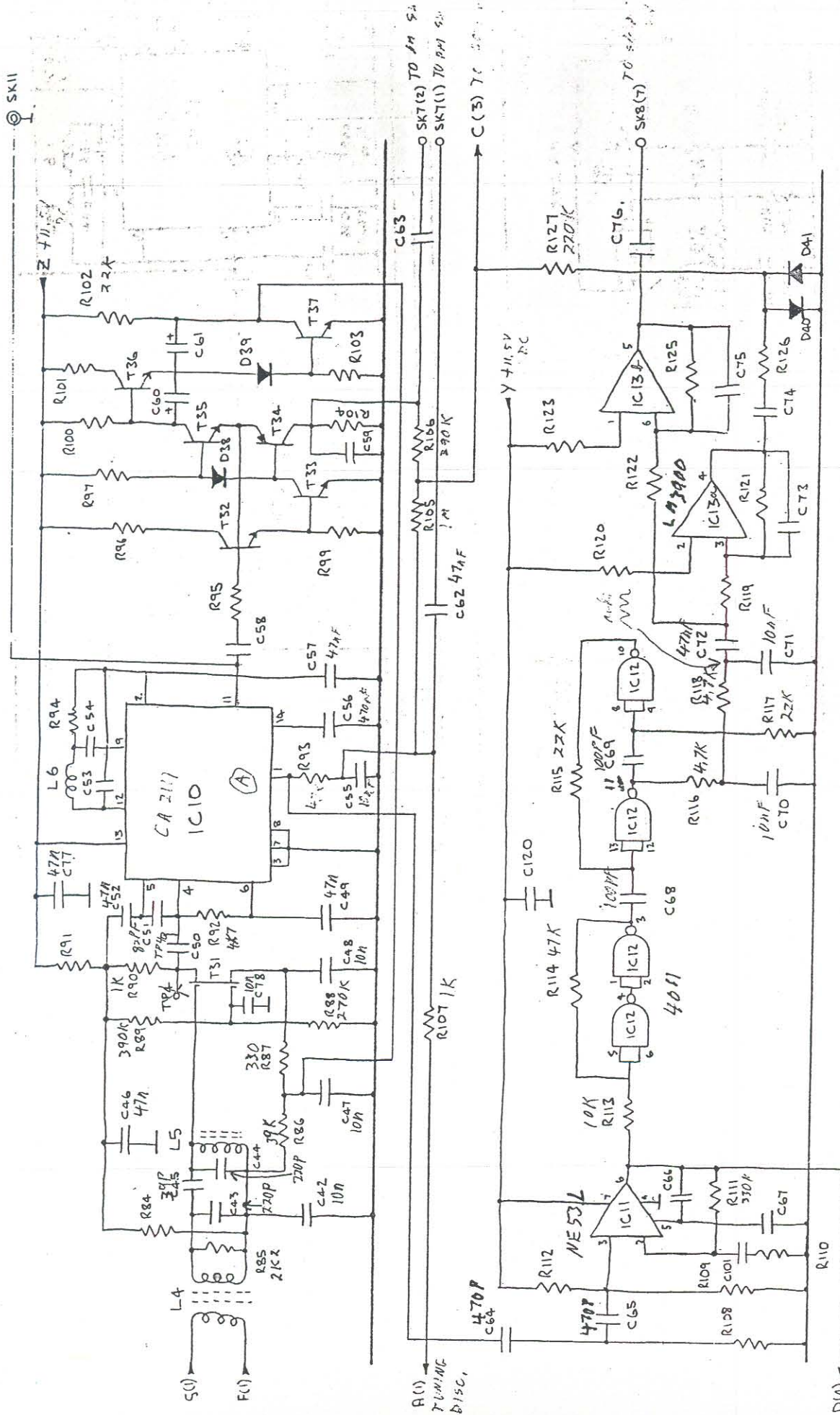


SCANLOCK PSU 1035/2
LAYOUT DIAGRAM



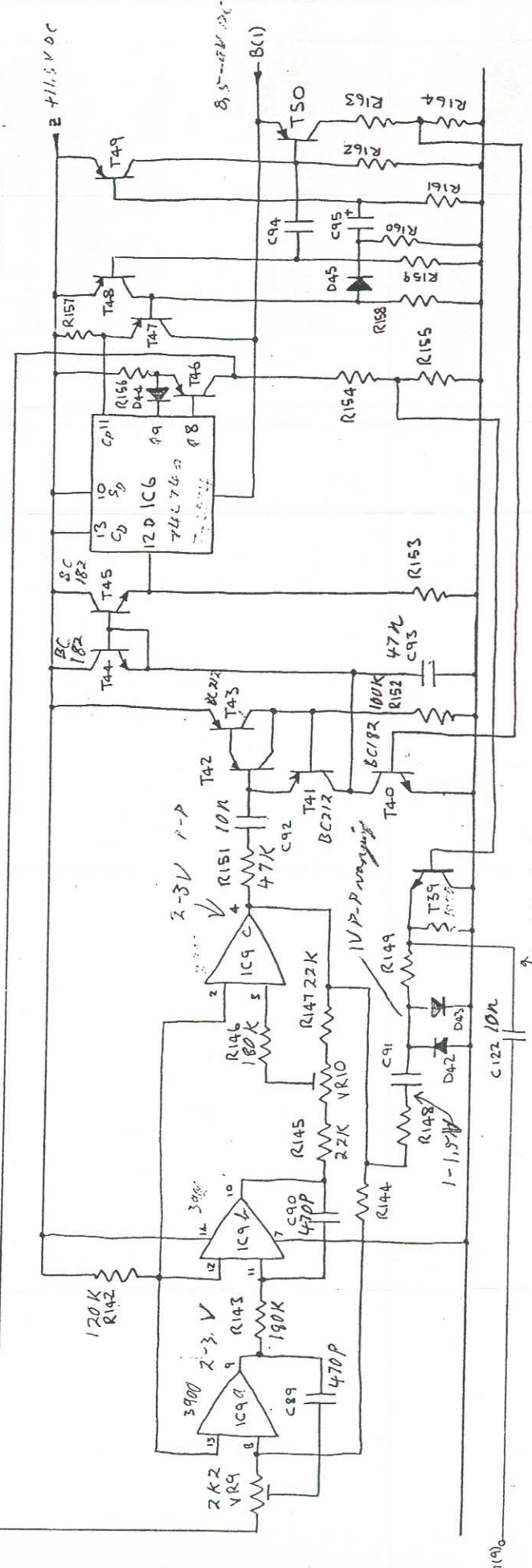
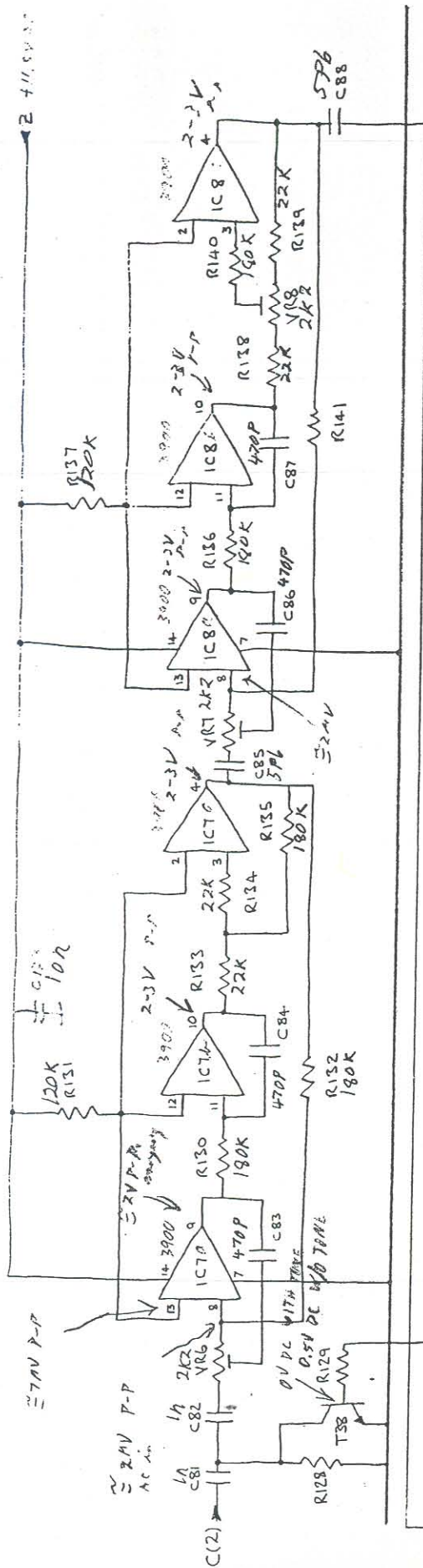
SCANLOCK FRONT PANEL ASSEMBLY
P.C.B. LAYOUTS



SCANLOCK V Main Board
 CIRCUIT DIAGRAM sheet 2

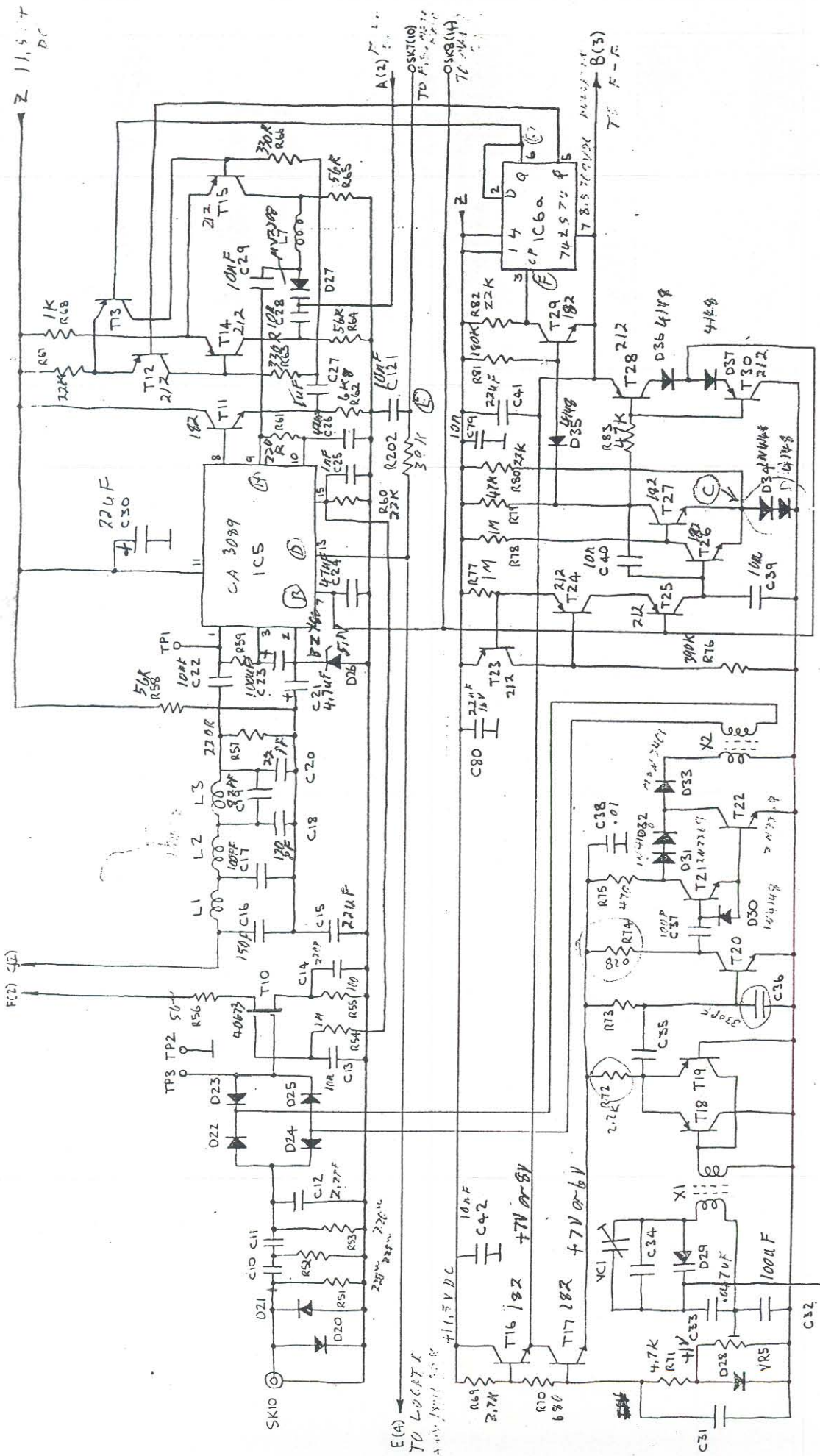
IF AMPLIFIER, FM, AM and AUTO. SYNC. FILTER DEMODULATORS

D(4) TO FIG 5/1 4/1 0 2/1

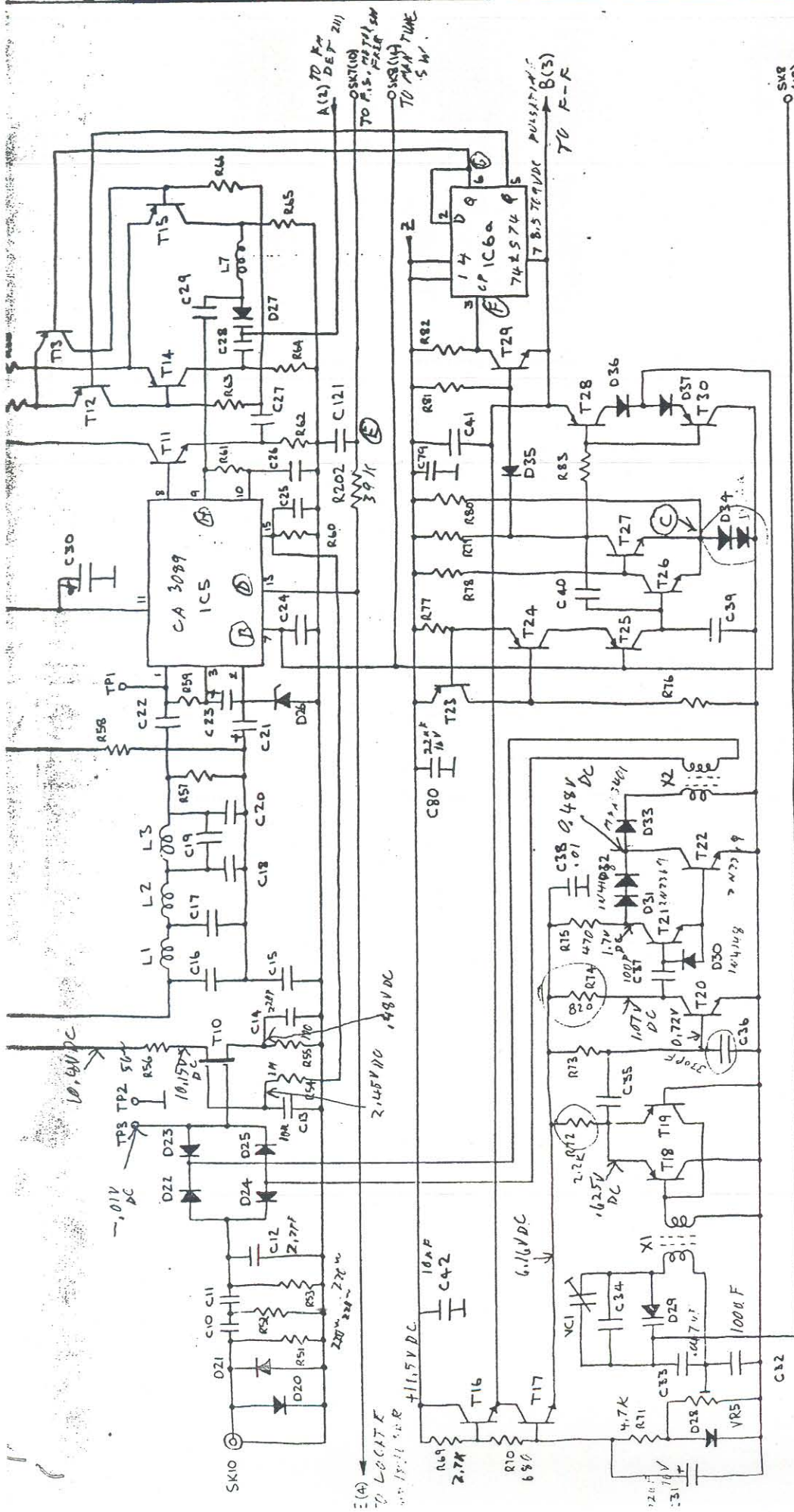


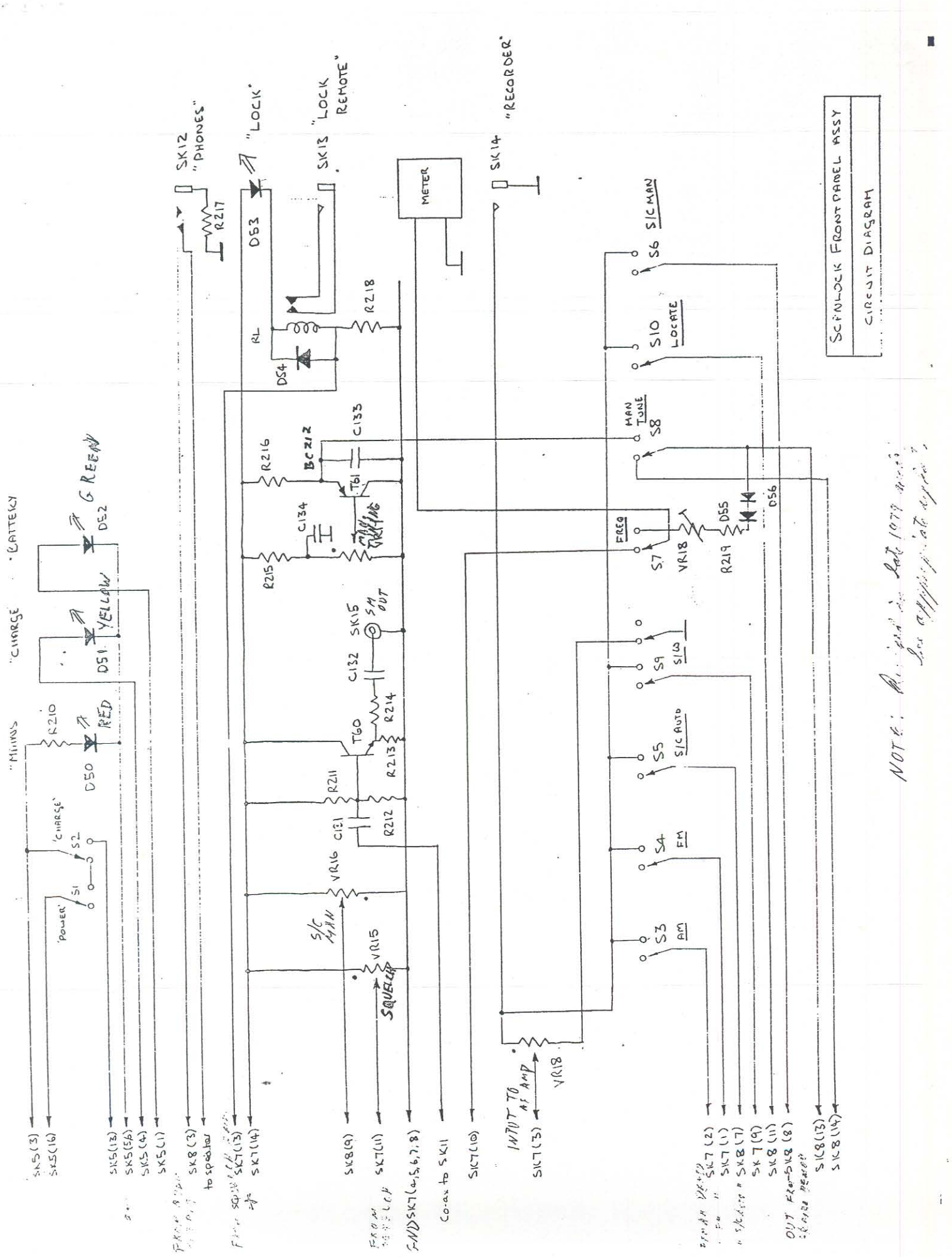
SCANLOCK V - Main Board
CIRCUIT DIAGRAM SHEET 3

SOURCE WAVE CIRCUIT



Z 11,5 V DC
 A(2)
 OSK(10)
 OSK(14)
 B(3)
 F-F
 O SKX
 O (13)
 TCC#1 NOTES
 27 JULY 79
 SCANLOCK V Main Board
 CIRCUIT DIAGRAM sheet 1
 SIGNAL CONVERSION AND AUTOMATIC TUNING SET
 207-118
 APPX 2N2239 7015 AP
 E 100030
 B07780





SCANLOCK FRONT-PANEL ASSY
CIRCUIT DIAGRAM

NOTE: Revised in Oct 1979 and has appropriate changes